

Descriptions

CMF1210DH900EFR principle with its unique structure, which not only can restrain the common-mode EMI noise, and can absorb electrostatic, therefore they are widely used in USB2.0, an LVDS, HDMI, MIPI high-speed differential signal lines.



CMF1210DH900EFR is available in 1210 package. Standard products are Pb-free and comply with ROHS.

Application

- ◆ Mobile phone
- ◆ Bluetooth or WIFI player
- ◆ Communication systems
- ◆ Tablet computer

Naming rules

CMF 1210 DH 900 E F R
(1) (2) (3) (4) (5) (6) (7)

- (1) Common Mode Filter
 - (2) Dimensions, 1.2mm (L) x 1.0mm (W)
 - (3) DH: High speed
 - (4) Common Mode Impedance (at 100MHz), 900= 90Ω
 - (5) E:ESD protection
 - (6) Type of electrode plating: F= Lead Free
 - (7) Packing Type, R= Reel
- Quantity Per Reel: 4,000pcs

Electrical characteristics (T=25°C)

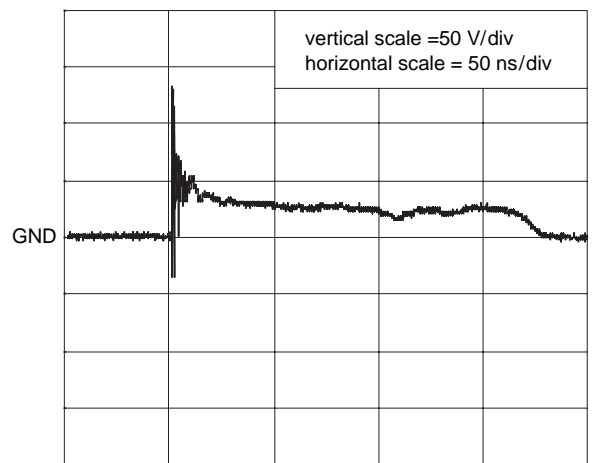
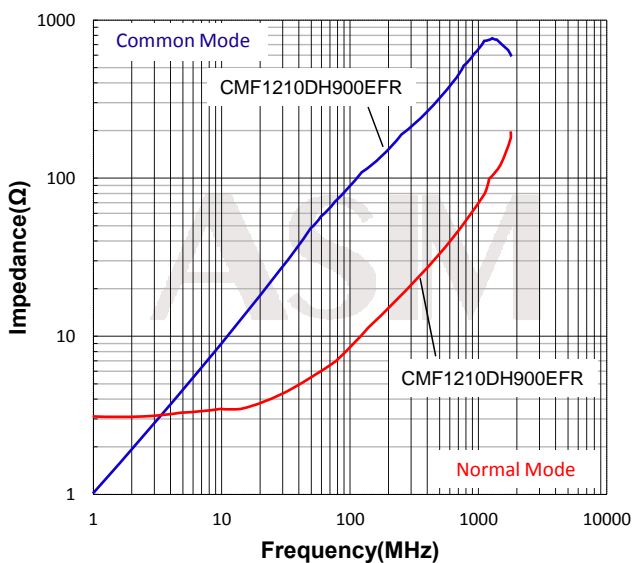
Common mode parameters

Imp.Com (Ω) ±25% @100MHZ	DCR (max) (Ω)	Rated Current (max) (mA)
90	2.0	100

ESD parameters

parameter	symbol	condition	Min	Type	Max	Unit
Reverse stand-off voltage	V _{RWM}				±5	V
Reverse leakage current	I _R	V _{RWM} =5V			0.5	uA
Reveres breakdown voltage	V _{BR}	I _T =1mA		500		V
Clamping voltage	V _C	@I _{PP} t _p =8/20us		50		V
Junction capacitance	C _J	V _R =0V,f=1MHZ		0.6	1	pF

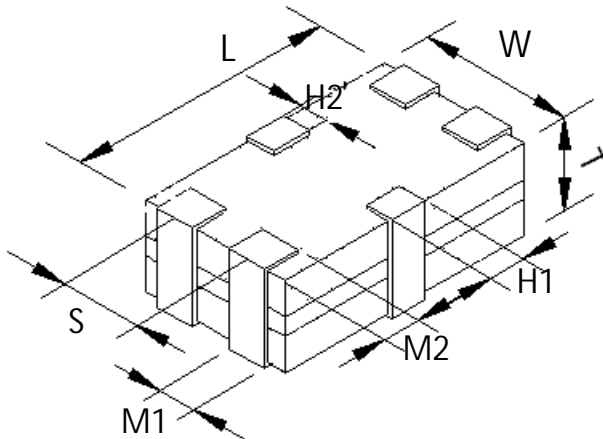
Typical characteristic (T=25°C)



ESD clamping
(+8kV contact discharge per IEC61000-4-2)

Package outline dimensions (Unit: mm)

SHAPE AND DIMENSIONS



TYPE	Dimension
L	1.25 ± 0.10
W	1.00 ± 0.10
T	0.70 ± 0.10
S	0.50 ± 0.10
M1	0.30 ± 0.10
M2	0.20 ± 0.15
H1	0.30 ± 0.15
H2	0.20 ± 0.15

CIRCUIT CONFIGURATION & LAYOUT PAD (Unit: mm)

